

# ARMS FOR BOTTOM-HUNG WINDOWS AND LIMITERS

## FRIZ ARMS



### Functions

Accessory utilised to limit opening of the sash when movement of the sash is restricted by obstacles such as uprights or walls.

Online data sheet



### Technical Features

Sliding plate friction adjustable with a screw. Mounts to side-hung and tilt-and-turn casements with minimum dimension L = 450 mm.

As a pair, it may be used as a retainer arm for very heavy bottom-hung windows.

Equipped with a spring-loaded manual quick release.

Stop plate fitted with two grub screws to prevent slippage.

### Materials

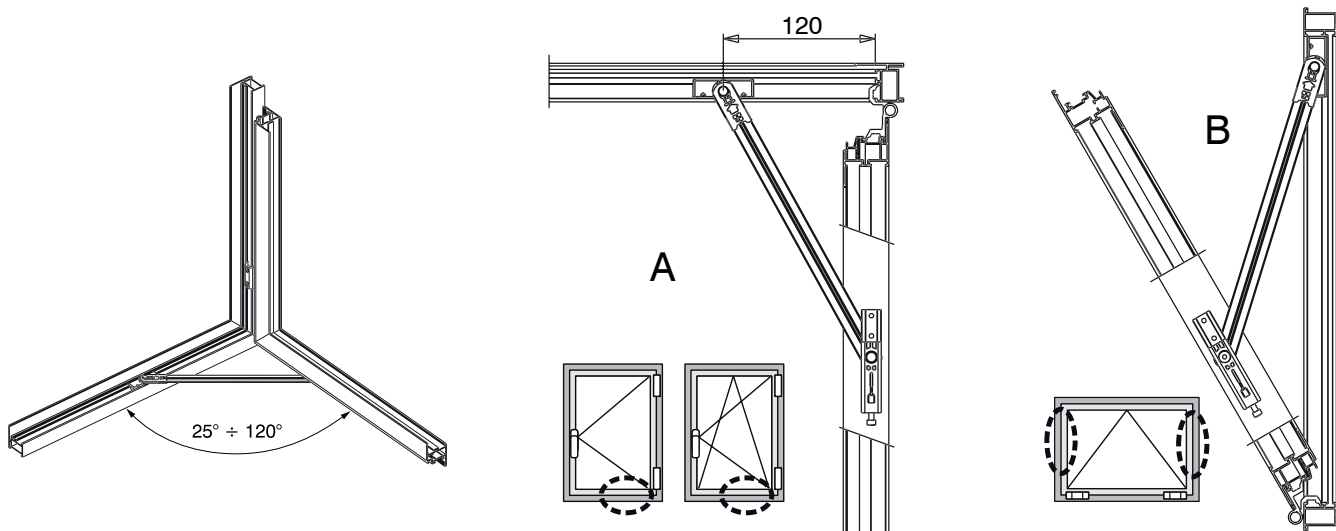
Fixing plate in zamak with GS Silver Plus finish (up to 500 h corrosion resistance)

Rod and stop plate made of pre-oxidised extruded aluminium.

Polyamide frictioning plate

Pins, screws, grub screws and release in stainless steel.

A: opening limiter. B: bottom-hung window.



Item code	Description	Interface type	Range (mm)	Version	Base Raw	Anodised Elox	Items per pack
02030K	FRIZ STAY LIMITATION ARM	C001-C002-005-C011-C013-C014-C015-C016-C017	300	170	130	X	10
02031K	FRIZ STAY LIMITATION ARM	C003-C005	300	170	130	X	10
02034K	FRIZ STAY LIMITATION ARM	C007	300	80	70	X	10
02035	FRIZ STAY LIMITATION ARM	C008	300	80	70	X	10
02800K	FRIZ STAY LIMITATION ARM	-	140	100	70	X	10