

## SKG - SIDE-HUNG WINDOW KIT

### Functions

Side-Hung fastening mechanisms.

Online data sheet



### Technical Features

Perimetral closing: the 3 corner drives supplied allow closing on all sides. In relation to a standard product, it includes strengthening components for the joints with the rod.

4 adjustable shims reduce sideways movement of the sash, increasing its resistance to burglary.

### Materials

Corner drives, drive rod, mechanism bolt tip and strikers in zamak with GS Silver Plus finish (up to 500 h of corrosion resistance)

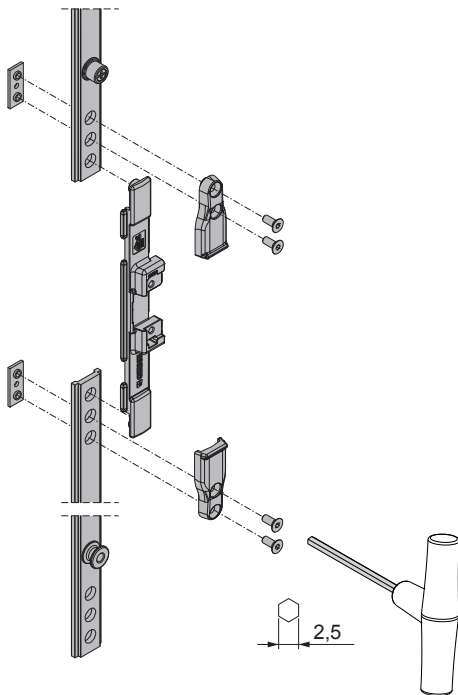
Sash/frame shimming components in GS Silver Plus zamak

Rod strengthening components in microcast steel

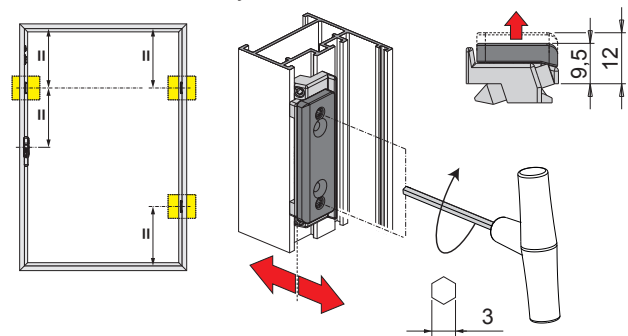
Screws and grub screws in stainless steel



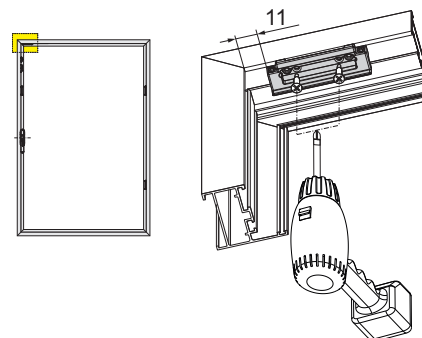
Rod strengthening components



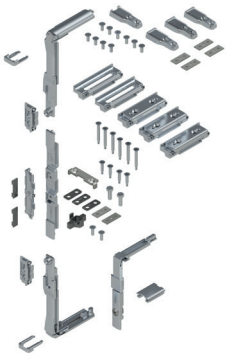
Adjustable side shims



Top shim



Item code	Description	Note	Base Raw	Anodised Elox	Painted	Trend/Gold Brass	Pieces per pack
04005	SKG - SIDE-HUNG KIT		X				5



## SKG - SIDE-HUNG WINDOW KIT

### Functions

Side-Hung fastening mechanisms.

Online data sheet



### Technical Features

Perimetral closing: the 3 corner drives supplied allow closing on all sides. In relation to a standard product, it includes strengthening components for the joints with the rod.

4 adjustable shims reduce sideways movement of the sash, increasing its resistance to burglary.

### Materials

Corner drives, drive rod, mechanism bolt tip and strikers in zamak with GS Silver Plus finish (up to 500 h of corrosion resistance)

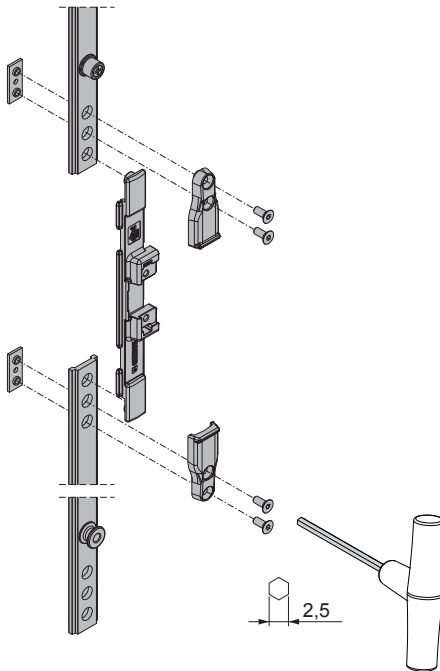
Sash/frame shimming components in GS Silver Plus zamak

Rod strengthening components in microcast steel

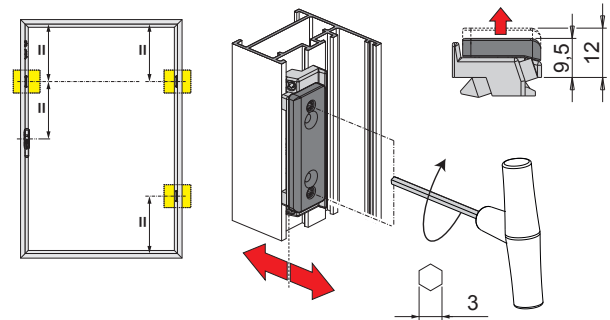
Screws and grub screws in stainless steel



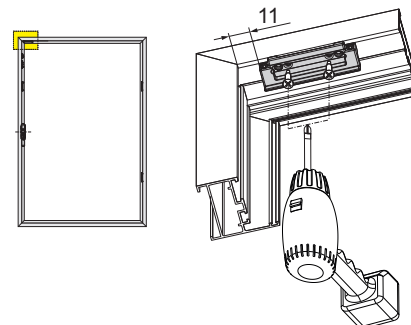
Rod strengthening components



Adjustable side shims



Top shim



Item code	Description	Note	Base Raw	Anodised Elox	Painted	Trend/Gold Brass	Pieces per pack
04005	SKG - SIDE-HUNG KIT		X				5