

## SKG - CREMONES

### Functions

Reversible cremone with key lockable handle, with rotation through 90° and 180° and opening/closing positioning notch.

Online data sheet



### Technical Features

SKG\*\*\* certified, the cylinder makes it possible to lock the handle at 0° with a rotation and tear breaking strength greater than 100 Nm.

The cylinders of the FIRST KEY cremones have homogeneous coding, on request it is in any case possible to fulfill specific job orders with customized coding.

### Materials

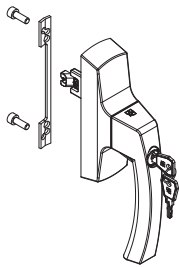
Handle in die-cast aluminium  
Die-cast Zamak case, gears, racks and sliding parts  
Nickel-plated brass cylinder  
Internal sheath and Hostaform plate  
Spring, screws and fixing plate in stainless steel

### Parts

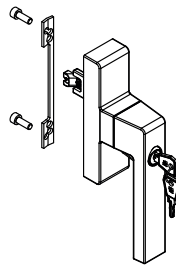
1 fixing plate  
2 HSHC screws M5x14



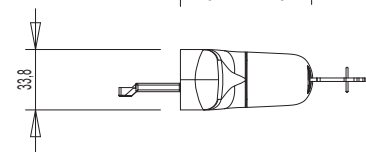
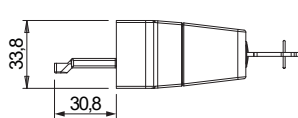
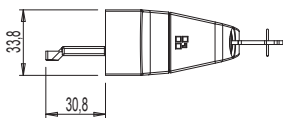
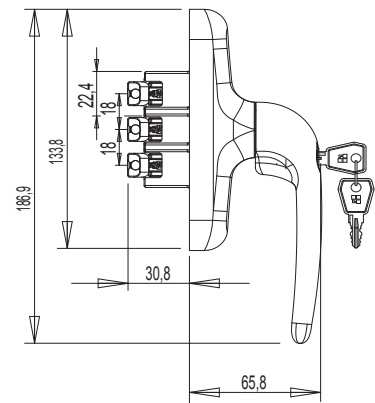
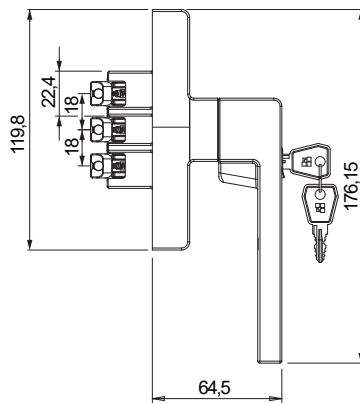
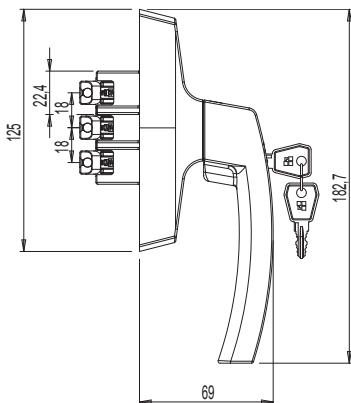
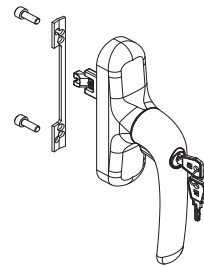
0108501



00960



0119102



Item code	Description	Note	Base Raw	Anodised Elox	Painted	Trend/Gold Brass	Pieces per pack
0108501	SKG ASIA KEY MICRO CREMONE		X		X		5
0119102	SKG PRIMA KEY MICRO CREMONE		X		X		5
00960	SKG KORA KEY MICRO CREMONE		X		X		5



**SKG - CREMONES**

**Functions**

Reversible cremone with key lockable handle, with rotation through 90° and 180° and opening/closing positioning notch.

Online data sheet



**Technical Features**

SKG\*\*\* certified, the cylinder makes it possible to lock the handle at 0° with a rotation and tear breaking strength greater than 100 Nm.

The cylinders of the FIRST KEY cremones have homogeneous coding, on request it is in any case possible to fulfill specific job orders with customized coding.

**Materials**

Handle in die-cast aluminium

Die-cast Zamak case, gears, racks and sliding parts

Nickel-plated brass cylinder

Internal sheath and Hostaform plate

Spring, screws and fixing plate in stainless steel

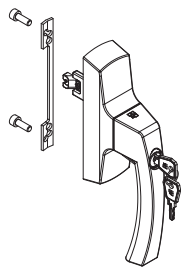
**Parts**

1 fixing plate

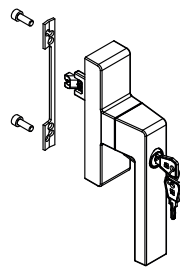
2 HSHC screws M5x14



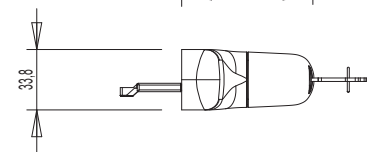
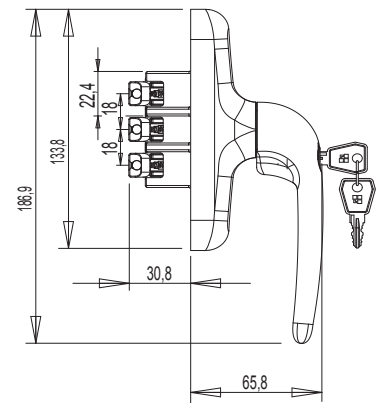
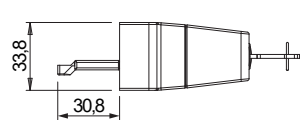
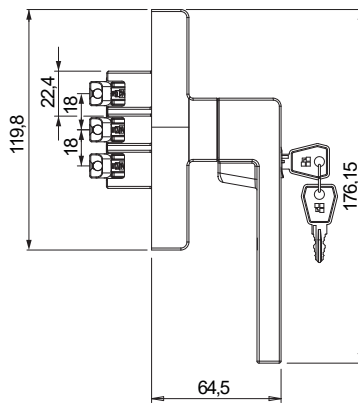
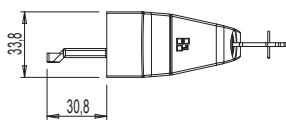
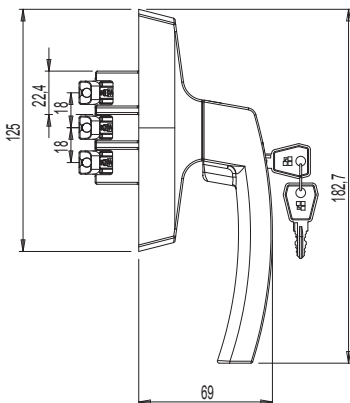
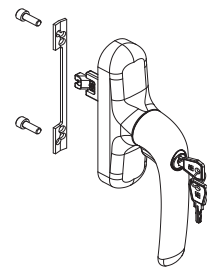
0108501



00960



0119102



Item code	Description	Note	Base Raw	Anodised Elox	Painted	Trend/Gold Brass	Pieces per pack
0108501	SKG ASIA KEY MICRO CREMONE		X		X		5
0119102	SKG PRIMA KEY MICRO CREMONE		X		X		5
00960	SKG KORA KEY MICRO CREMONE		X		X		5



## SKG - CREMONES

### Functions

Reversible cremone with key lockable handle, with rotation through 90° and 180° and opening/closing positioning notch.

Online data sheet



### Technical Features

SKG\*\*\* certified, the cylinder makes it possible to lock the handle at 0° with a rotation and tear breaking strength greater than 100 Nm.

The cylinders of the FIRST KEY cremones have homogeneous coding, on request it is in any case possible to fulfill specific job orders with customized coding.

### Materials

Handle in die-cast aluminium

Die-cast Zamak case, gears, racks and sliding parts

Nickel-plated brass cylinder

Internal sheath and Hostaform plate

Spring, screws and fixing plate in stainless steel

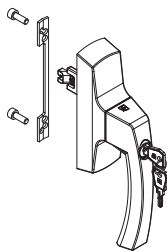
### Parts

1 fixing plate

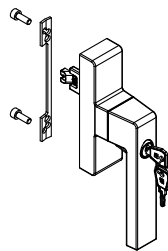
2 HSHC screws M5x14



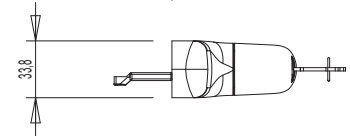
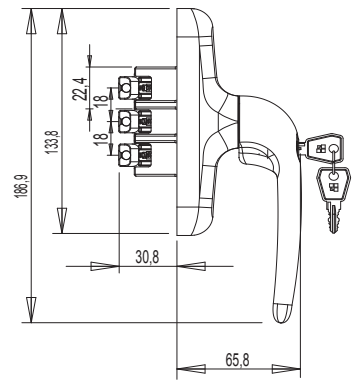
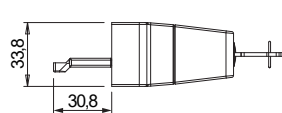
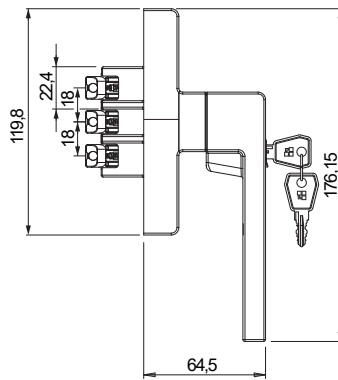
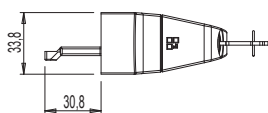
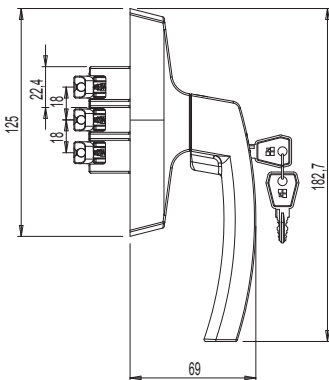
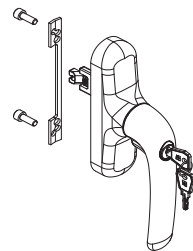
0108501



00960



0119102



Item code	Description	Note	Base Raw	Anodised Elox	Painted	Trend/Gold Brass	Pieces per pack
0108501	SKG ASIA KEY MICRO CREMONE		X		X		5
0119102	SKG PRIMA KEY MICRO CREMONE		X		X		5
00960	SKG KORA KEY MICRO CREMONE		X		X		5

**SKG - CREMONES**



**Functions**

Reversible cremone with key lockable handle, with rotation through 90° and 180° and opening/closing positioning notch.

Online data sheet



**Technical Features**

SKG\*\*\* certified, the cylinder makes it possible to lock the handle at 0° with a rotation and tear breaking strength greater than 100 Nm.

The cylinders of the FIRST KEY cremones have homogeneous coding, on request it is in any case possible to fulfill specific job orders with customized coding.

**Materials**

Handle in die-cast aluminium

Die-cast Zamak case, gears, racks and sliding parts

Nickel-plated brass cylinder

Internal sheath and Hostaform plate

Spring, screws and fixing plate in stainless steel

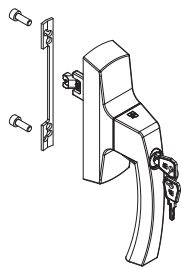
**Parts**

1 fixing plate

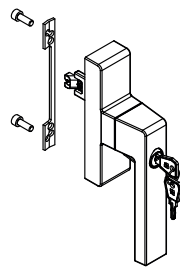
2 HSHC screws M5x14



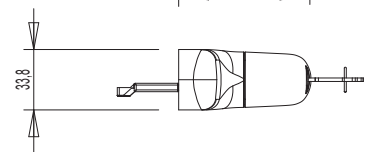
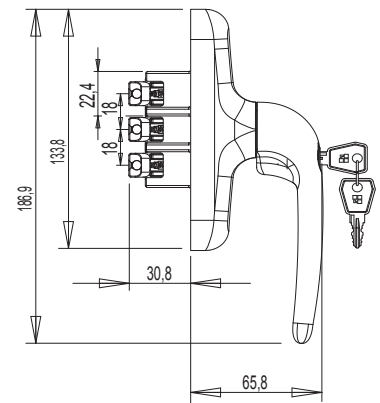
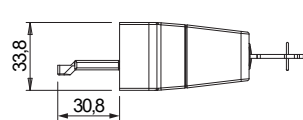
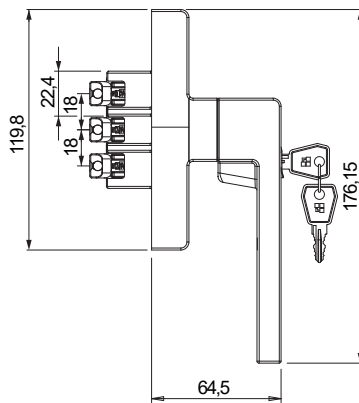
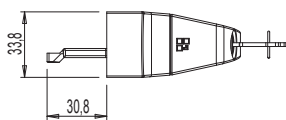
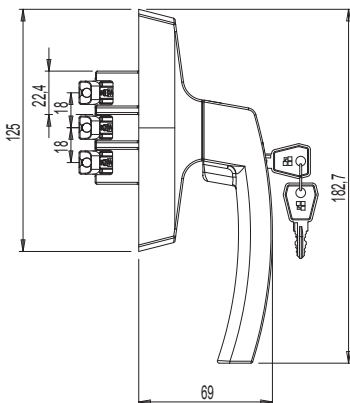
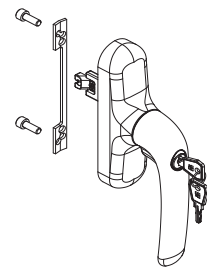
0108501



00960



0119102



Item code	Description	Note	Base Raw	Anodised Elox	Painted	Trend/Gold Brass	Pieces per pack
0108501	SKG ASIA KEY MICRO CREMONE		X		X		5
0119102	SKG PRIMA KEY MICRO CREMONE		X		X		5
00960	SKG KORA KEY MICRO CREMONE		X		X		5