

SKG - FUTURA 3D 130 HINGES AND ARMS



Functions

Futura 3D 130 tilt-and-turn hinge set (upper and lower) and arm.

Online data sheet



Technical Features

Hinges: hinge set (upper and lower), completely pre-assembled and ready to be installed on the profile.

Arms: allow tilt-and-turn opening in conjunction with tilt-and-turn hinges and mechanisms.

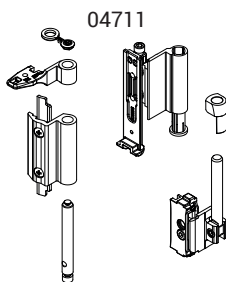
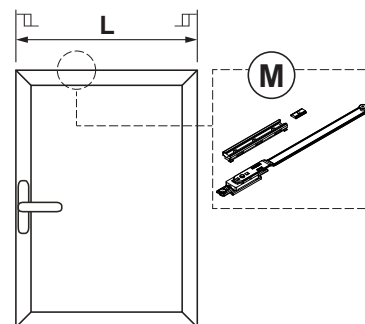
Materials

Hinges:

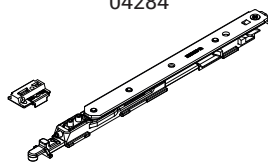
- Body of hinges in extruded aluminium and brass
- Supports in zamak with GS Silver Plus finish (up to 500 h corrosion resistance)
- Pins, screws and grub screws in stainless steel

Arms:

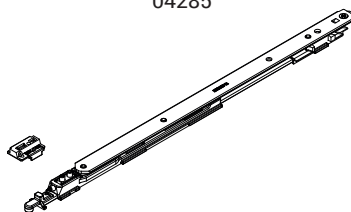
- Body, fixing block and slider in zamak with GS Silver Plus finish (up to 500 h corrosion resistance)
- Rod, connecting bracket, grub screws and screws in stainless steel
- Stop disk in polyamide



04284

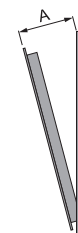


04285



T2		T2		T2+M
T1	T1	T1	T1+M	
	625	780	1000	1100
	L			

Sash opening



Item code	Description	PROFILE CROSS - SECTION	Base Raw	Anodised Elox	Painted	Trend/Gold Brass	Pieces per pack
04711	HINGE T/T FUTURA 130	C001-C002-C003-C005-C006	X		X	X	10

Item code	Description	PROFILE CROSS - SECTION	A (mm)	Base Raw	Anodised Elox	Painted	Trend/Gold Brass	Pieces per pack
04284	ARM T1 130 WITH MICROVENTILATION	C001-C002-C003-C015-C016-C017	120					10
04285	ARM T2 130 WITH MICROVENTILATION	C001-C002-C003-C015-C016-C017	175					10

SKG - FUTURA 3D 130 HINGES AND ARMS



Functions

Futura 3D 130 tilt-and-turn hinge set (upper and lower) and arm.

Online data sheet



Technical Features

Hinges: hinge set (upper and lower), completely pre-assembled and ready to be installed on the profile.

Arms: allow tilt-and-turn opening in conjunction with tilt-and-turn hinges and mechanisms.

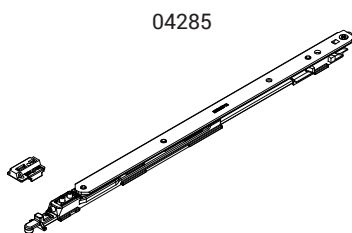
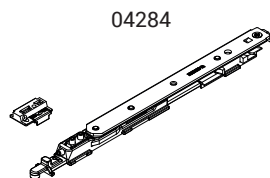
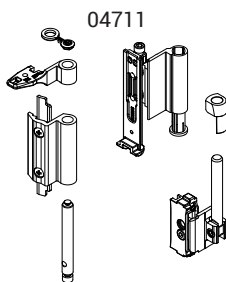
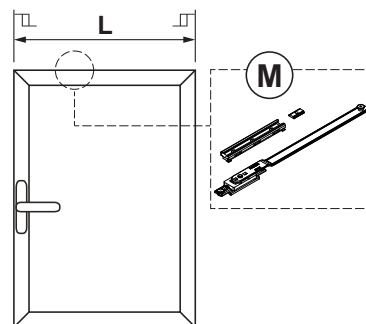
Materials

Hinges:

- Body of hinges in extruded aluminium and brass
- Supports in zamak with GS Silver Plus finish (up to 500 h corrosion resistance)
- Pins, screws and grub screws in stainless steel

Arms:

- Body, fixing block and slider in zamak with GS Silver Plus finish (up to 500 h corrosion resistance)
- Rod, connecting bracket, grub screws and screws in stainless steel
- Stop disk in polyamide



T2		T2		T2+M
T1	T1	T1	T1+M	
720	870	1090	1180	1600
L				

Sash opening



Item code	Description	PROFILE CROSS - SECTION	Base Raw	Anodised Elox	Painted	Trend/Gold Brass	Pieces per pack
04711	HINGE T/T FUTURA 130	C001-C002-C003-C005-C006	X		X	X	10

Item code	Description	PROFILE CROSS - SECTION	A (mm)	Base Raw	Anodised Elox	Painted	Trend/Gold Brass	Pieces per pack
04284	ARM T1 130 WITH MICROVENTILATION	C001-C002-C003-C015-C016-C017	120					10
04285	ARM T2 130 WITH MICROVENTILATION	C001-C002-C003-C015-C016-C017	175					10