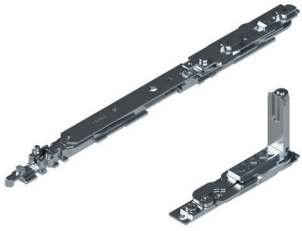


SKG - CHIC 100 TILT-AND-TURN HINGES AND ARMS



Functions

Hinge kit (upper and lower), completely pre-assembled and ready to be installed on the profile.

Online data sheet

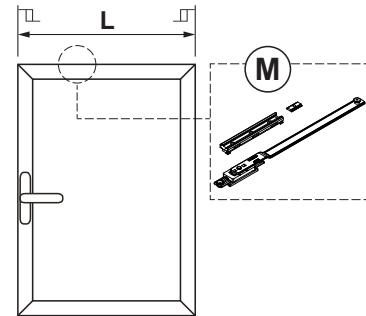


Technical Features

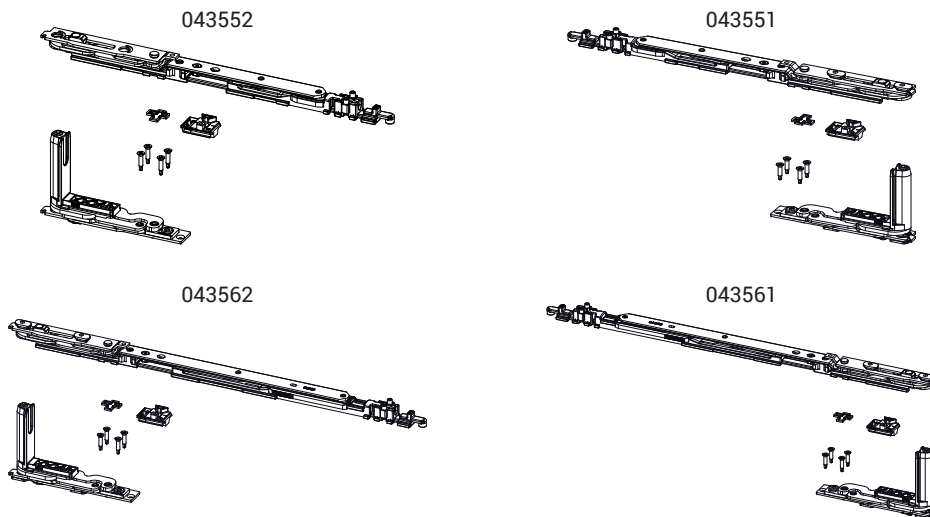
They enable tilt-and-turn opening combined with the mechanisms.
Micro-ventilation and logica versions.
The arm is equipped with micro-ventilation as standard (adjustable).
Moving the fastening pawl takes the arm from conventional to logica.
The T2 arm is adjustable: the opening "A" goes from 178 mm (base) to 148 mm.

Materials

Corner support made of zamak
Connecting brackets and hinge plates made of zinc plated steel
Pins made of 304 grade stainless steel and aluminium bronze
Cams made of zinc plated steel
Connecting bracket and arm rod made of 304 grade stainless steel



T2		T2		T2+M
T1	T1	T1	T1+M	
680	805	1000	1130	1600
L				

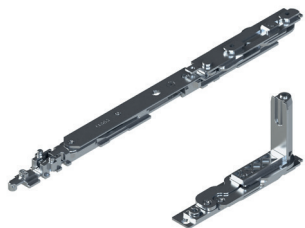


Sash opening



Item code	Description	PROFILE CROSS - SECTION	A (mm)	Hand	Base Raw	Anodised Elox	Painted	Trend/Gold Brass	Pieces per pack
043551	CHIC - T1 ARM T&T KIT	C001-C002-C003-C005-C006	98	RX	X				10
043552	CHIC - T1 ARM T&T KIT	C001-C002-C003-C005-C006	98	LX	X				10
043561	CHIC - T2 ARM T&T KIT	C001-C002-C003-C005-C006	148÷178	RX	X				10
043562	CHIC - T2 ARM T&T KIT	C001-C002-C003-C005-C006	148÷178	LX	X				10

SKG - CHIC 100 TILT-AND-TURN HINGES AND ARMS



Functions

Hinge kit (upper and lower), completely pre-assembled and ready to be installed on the profile.

Online data sheet

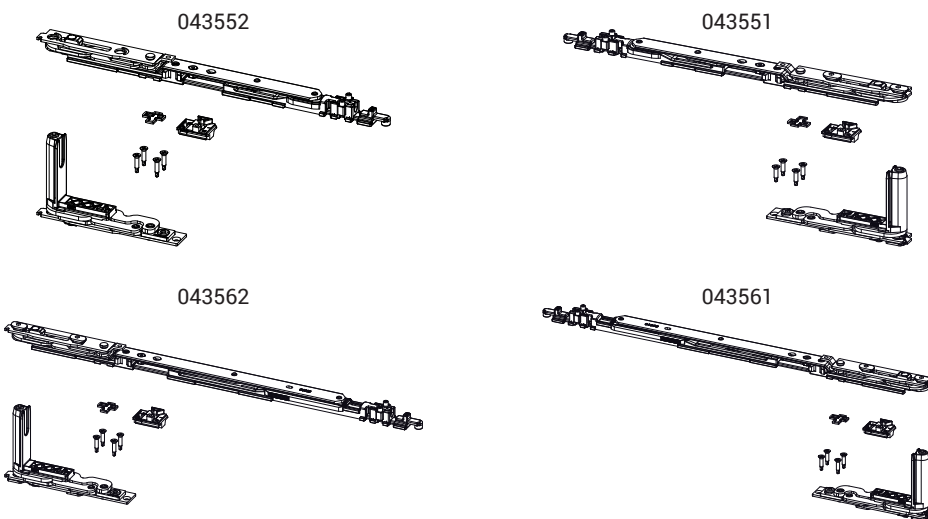
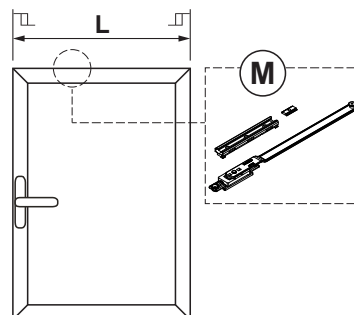


Technical Features

They enable tilt-and-turn opening combined with the mechanisms.
 Micro-ventilation and logica versions.
 The arm is equipped with micro-ventilation as standard (adjustable).
 Moving the fastening pawl takes the arm from conventional to logica.
 The T2 arm is adjustable: the opening "A" goes from 178 mm (base) to 148 mm.

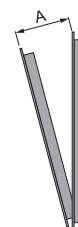
Materials

Corner support made of zamak
 Connecting brackets and hinge plates made of zinc plated steel
 Pins made of 304 grade stainless steel and aluminium bronze
 Cams made of zinc plated steel
 Connecting bracket and arm rod made of 304 grade stainless steel



T2		T2		T2+M
T1	T1	T1	T1+M	
770	890	1090	1210	1600
L				

Sash opening



Item code	Description	PROFILE CROSS - SECTION	A (mm)	Hand	Base Raw	Anodised Elox	Painted	Trend/Gold Brass	Pieces per pack
043551	CHIC - T1 ARM T&T KIT	C001-C002-C003-C005-C006	98	RX	X				10
043552	CHIC - T1 ARM T&T KIT	C001-C002-C003-C005-C006	98	LX	X				10
043561	CHIC - T2 ARM T&T KIT	C001-C002-C003-C005-C006	148÷178	RX	X				10
043562	CHIC - T2 ARM T&T KIT	C001-C002-C003-C005-C006	148÷178	LX	X				10