

2-STAR SKG - BURGLAR-PROOF FASTENING MECHANISM



Functions

Specially designed device to increase resistance of the tilt-and-turn window to break-in attempts, making intrusion through the window more difficult.

Online data sheet



Technical Features

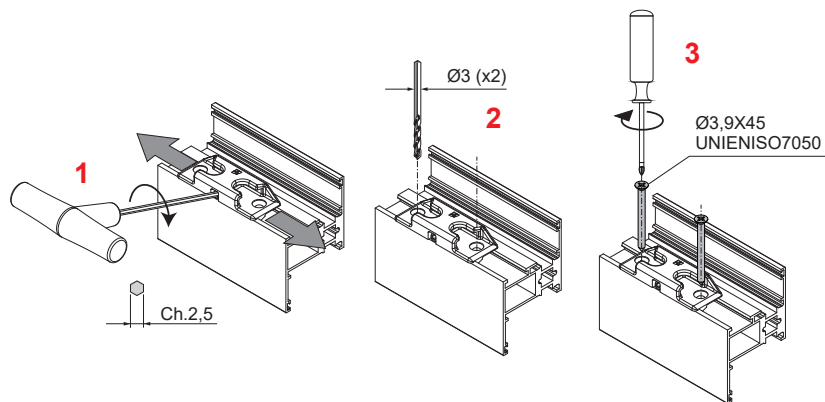
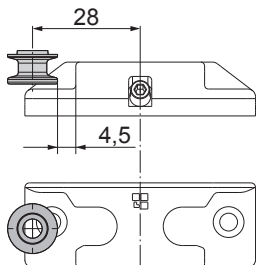
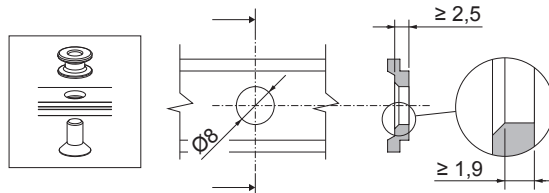
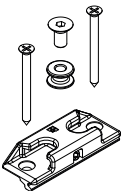
Article composed of two elements: the striker to be applied to the frame and the mushroom pawl to be applied to the rod. The striker is reversible and is secured to the frame by means of the pre-assembled grub screw and two self-threading screws that ensure precise, quick fixing to the frame. The pawl is applied to the rod of the series by simply making a hole $\varnothing 8$ mm; thanks to this solution, using the burglar-proof kit requires no changes to the cutting.

Materials

Striker in zamak with GS SILVER PLUS finish (over 500 hours of corrosion resistance)
Pawl and screws in stainless steel.



04000



Item code	Description	Note	Base Raw	Anodised Elox	Painted	Trend/Gold Brass	Pieces per pack
04000	2-STAR SKG BURGLAR-PROOF FASTENING MECHANISM		X				20

2-STAR SKG - BURGLAR-PROOF FASTENING MECHANISM



Functions

Specially designed device to increase resistance of the tilt-and-turn window to break-in attempts, making intrusion through the window more difficult.

Online data sheet



Technical Features

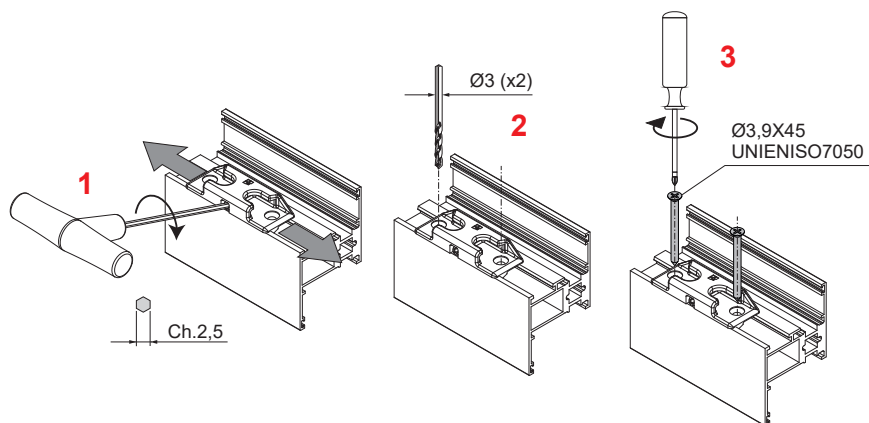
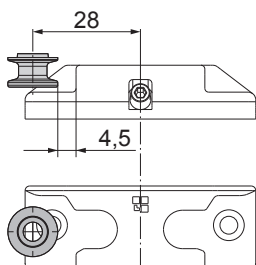
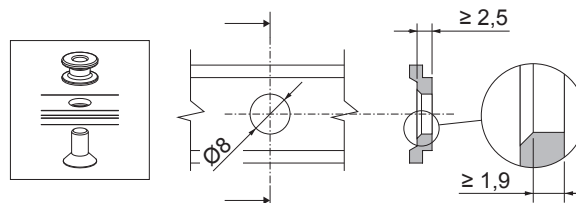
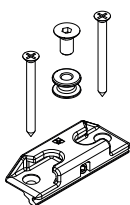
Article composed of two elements: the striker to be applied to the frame and the mushroom pawl to be applied to the rod. The striker is reversible and is secured to the frame by means of the pre-assembled grub screw and two self-threading screws that ensure precise, quick fixing to the frame. The pawl is applied to the rod of the series by simply making a hole $\varnothing 8$ mm; thanks to this solution, using the burglar-proof kit requires no changes to the cutting.

Materials

Striker in zamak with GS SILVER PLUS finish (over 500 hours of corrosion resistance)
Pawl and screws in stainless steel.



04000



Item code	Description	Note	Base Raw	Anodised Elox	Painted	Trend/Gold Brass	Pieces per pack
04000	2-STAR SKG BURGLAR-PROOF FASTENING MECHANISM		X				20