

ONE-WAY INTERNAL MECHANISMS



Functions

One-way mechanism, operated by window handle, to be inserted in the tubular section of the profile to operate the GIESSE tilt-and-turn sash fastening mechanisms.

Online data sheet



Technical Features

The mechanisms are reversible and designed to be combined with all the window handles made by GIESSE, both in aluminium and brass (with 7 mm square spindle).

The shim supplied, to be placed inside the tubular section of the profile, between the mechanism and the window handle, enables perfect alignment of the parts.

Materials

Rack, case, incorrect movement safety device slide, cover for mechanism and gear in die-cast zamak.

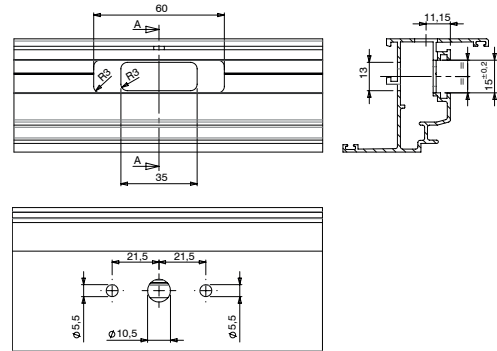
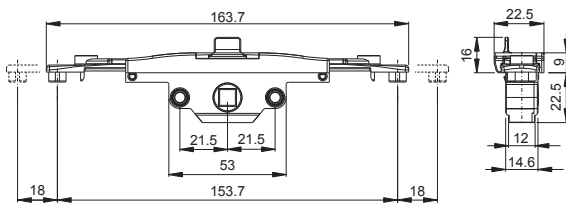
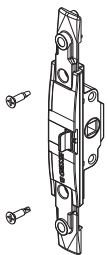
Shims in black polyamide.

Screws and spring of zinc-nickel plated steel.

Type A

Type A: dimensions

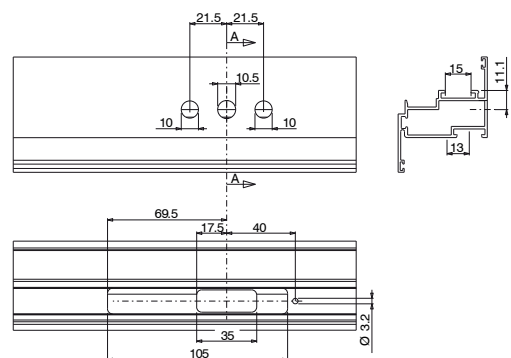
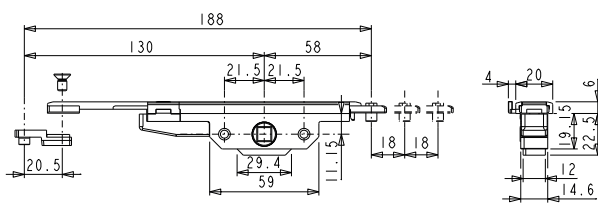
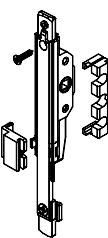
Type A: machining



Type B

Type B: dimensions

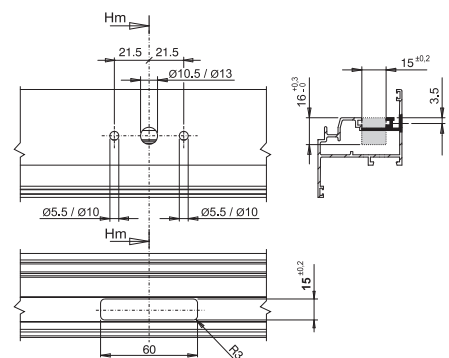
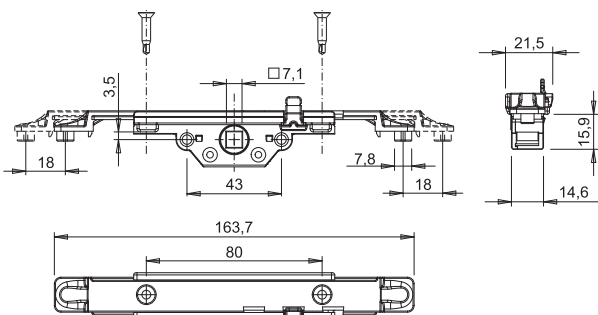
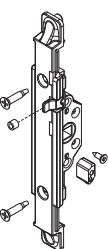
Type B: machining



Type C

Type C: dimensions

Type C: machining



INTERNAL MECHANISMS

Item code	Description	Type	PROFILE CROSS - SECTION	Screws	Finish	Base Raw	Anodised Elox	Painted	Trend/Gold Brass	Pieces per pack
00949	ONE-WAY MECHANISM M180	C	C001-C002-C003-C004-C005-C006-C012-C013-C014-C015-C016-C017	-	GS Silver Plus	X				10
01029K	ONE-WAY MECHANISM M180	B	C001-C002-C003-C004-C005-C006-C012-C013-C014-C015-C016-C017	-	GS Silver Plus	X				5
0103001	ONE-WAY MECHANISM M180	B	C011	M5x60	GS Silver Plus	X				5
01061	ONE-WAY MECHANISM M180	A	C001-C002-C003-C004-C005-C006-C012-C013-C014-C015-C016-C017	-	GS Silver Plus	X				10
01062	ONE-WAY MECHANISM M180	A	C007	-	GS Silver Plus	X				10