

GS990 BASIC MECHANISM

Functions

Complete system for the construction of GS990 tilt-and-turn windows

Technical Features

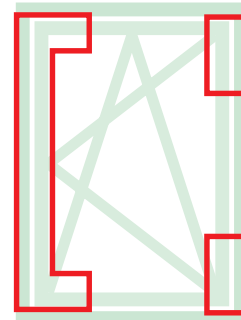
Mechanisms including hinges and hardware: available in various finishes. The hinges are supplied completely pre-assembled and ready to be installed on the profile, the hardware consists of ready-assembled accessories that make installation easy and instant

Materials: Hinges

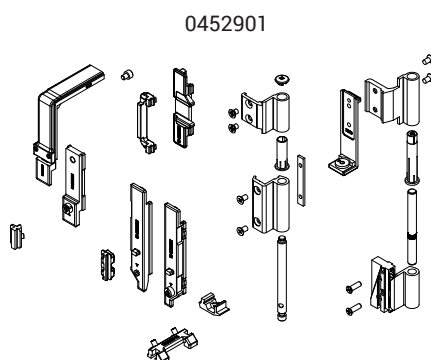
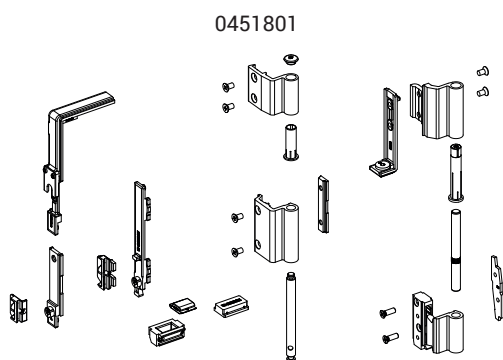
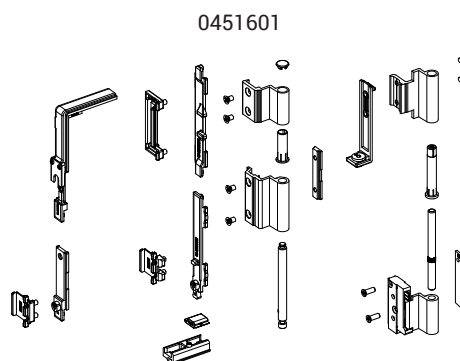
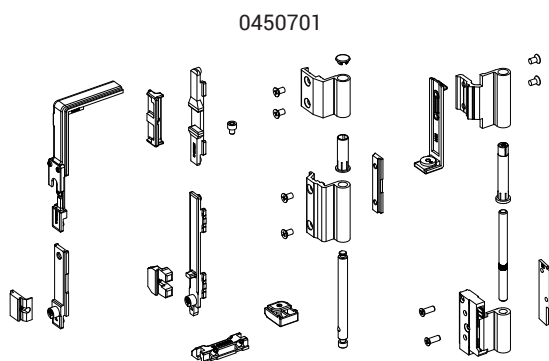
Body of hinges in extruded aluminium and zamak supports.
Pins, screws and grub screws in stainless steel.

Materials: Mechanism

Drive, drive rod, mechanism bolt tip and strikers in zamak.
Screws and grub screws in stainless steel.
Polyamide raiser.



Online data sheet



Item code	Description	PROFILE CROSS - SECTION	Mechanism	Base Raw	Anodised Elox	Painted	Trend/Gold Brass	Pieces per pack
0450701	AR GS990 BASIC MECHANISM	C009	Cremona	X	X	X	X	5
0451601	AR GS990 BASIC MECHANISM	C010	Cremona		X	X	X	5
0452901	AR GS990 BASIC MECHANISM	C008	Cremona	X	X	X	X	5