

FUTURA 3D R FASTENING MECHANISMS

Functions

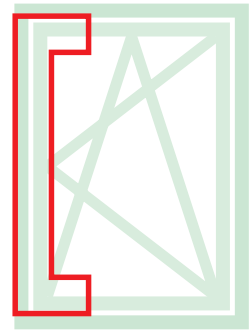
Tilt-and-turn window fastening mechanisms for cremone or window handle, available in Base and Logica versions.

Materials

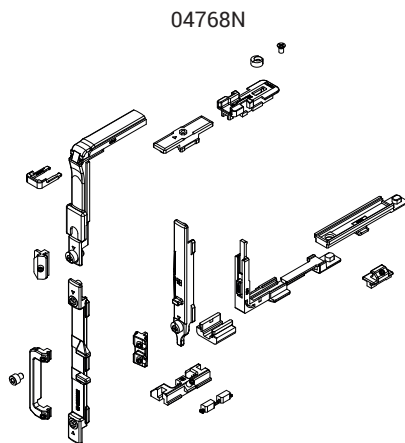
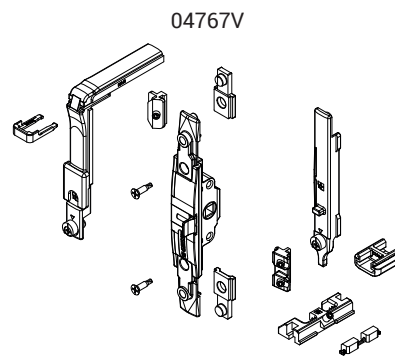
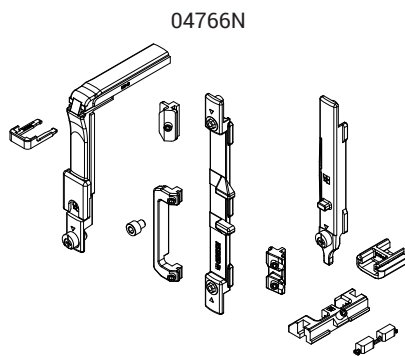
Drive, drive rod, mechanism bolt tip and strikers in zamak with GS Silver Plus finish (up to 500 h of corrosion resistance).

Screws and grub screws in stainless steel.

Polyamide raiser.



Online data sheet



Item code	Description	PROFILE CROSS - SECTION	Window handle	Version	Base Raw	Anodised Elox	Painted	Trend/Gold Brass	Pieces per pack
04766N	T/T FASTENING MECHANISM	C007	Cremone	-	X				10
04767V	T/T M 180 FASTENING MECHANISM	C007	Window handle	-	X				10
04768N	T/T LOGICA FASTENING MECHANISM	C007	Cremone	Logica	X				10