

PRIMA WINDOW HANDLE GS3000-150



Functions

Window handles for GS3000-150 lift and slide system.

[Online data sheet](#)



Technical features

Long window handle for lift and slide window with PRIMA style to construct sashes up to 150 kg.
 7/10 mm square pin.
 43 mm fixing C/C distance.
 Available in single version without key.
 Compatible with driving rods with 25 mm backset.
 Can be combined with recess handle with 43 mm C/C distance.

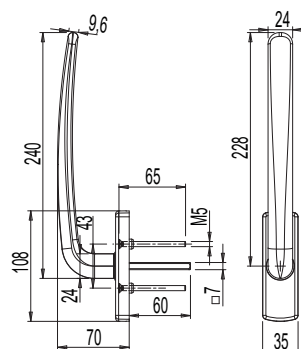
Materials

Aluminium handle and cover
 Zamak case
 Rotor made of zinc-plated steel
 Trim ring made of acetal resin
 Square pin in zinc plated steel
 Fixing screws, zinc-coated steel

PRIMA window handle L240 -I43



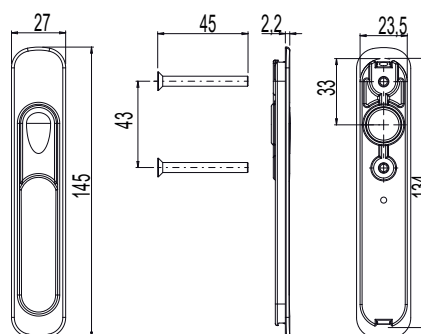
PRIMA window handle dimensions L240 -I43



External recess handle



External recess handle dimensions



Item code	Description	C/C distance (l)	Handle length (L)	Compatible with drive gear	Base Raw	Anodised Elox	Painted	Trend/Gold Brass	Pieces per pack
0243601	PRIMA WINDOW HANDLE L240-I43 GS3000	43 mm	240 mm	E = 25mm	X	X	X	X	1
02764	EXTERNAL RECESS PULL HANDLE	43 mm	-	E = 25mm	X		X	X	8