



## PRIMA CHAMPION PLUS WINDOW HANDLE

### Functions

Window handle that is applied on the main sash of a sliding casement.

Online data sheet

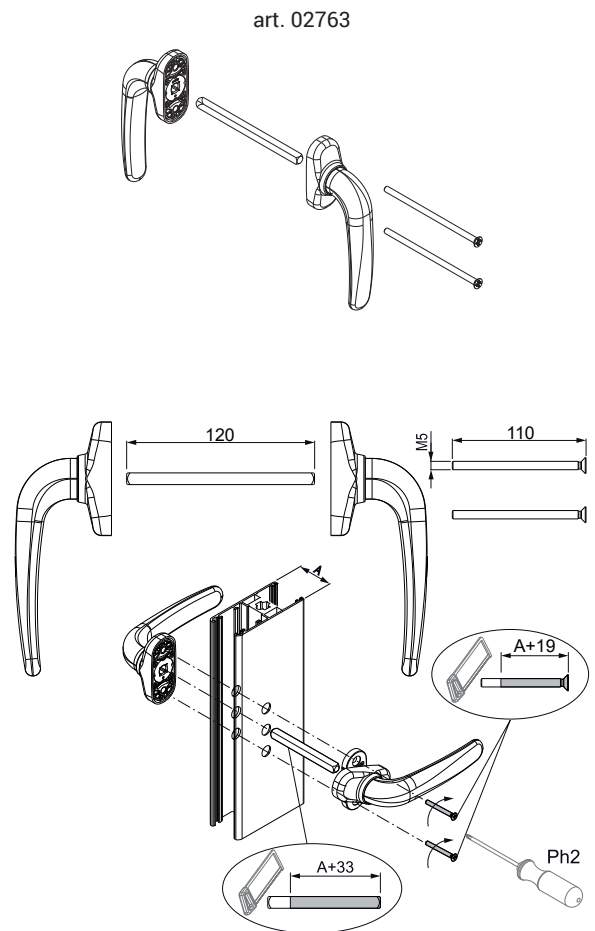
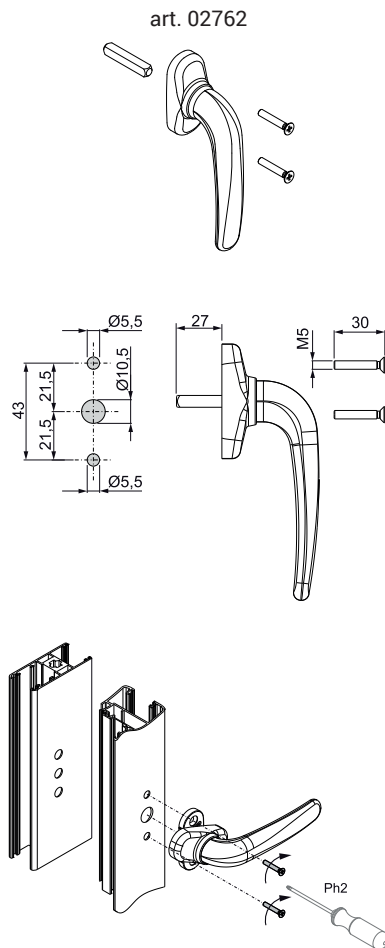


### Technical Features

Two versions are available, single and double (balcony doors), the Prima window handle provides easy operation of the Champion Plus multi-lock. Equipped with a 7 mm square pin and a positioner for stopping the handle at 0° and 180°.

### Materials

Handle, plate-cover and rotor in die-cast zamak  
Square pin and screws in stainless steel  
Polyamide plate



Item code	Description	PROFILE CROSS - SECTION	Applicable	Base Raw	Anodised Elox	Painted	Trend/Gold Brass	Pieces per pack
02762	PRIMA WINDOW HANDLE	C001-C002-C003-C004-C005-C006-C007-C009-C010-C011-C012-C013-C014-C015-C016-C017-P001-P002-P003-P004-P005-P006-P007-P008-P009-P010	internal	X		X	X	5
02763	DOUBLE PRIMA WINDOW HANDLE	-	internal/external	X		X	X	5