

**KORA WINDOW HANDLE GS3000-300**

**Functions**

Window handles for GS3000-300 lift and slide system.

Online data sheet



**Technical features**

Long window handles for lift and slide window with KORA style to construct sashes up to 400 kg.  
 10 mm square pin.  
 80 mm fixing C/C distance.  
 Available in single version with and without key and in double version with key.  
 Compatible with driving rod with 27.5 and 37.5 mm backset.  
 Can be combined with recess handles with 80 mm C/C distance.

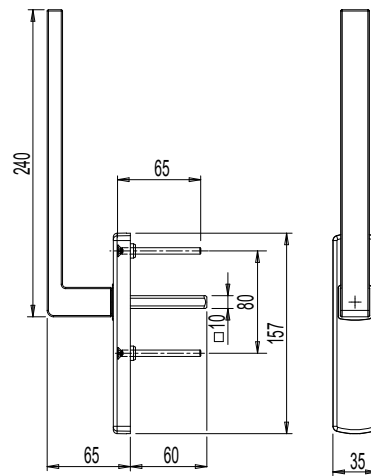
**Materials**

Aluminium handle and cover  
 Zamak case  
 Rotor made of zinc-plated steel  
 Trim ring made of acetal resin  
 Square pin in zinc plated steel  
 Fixing screws, zinc-coated steel

KORA window handle L240 -I80



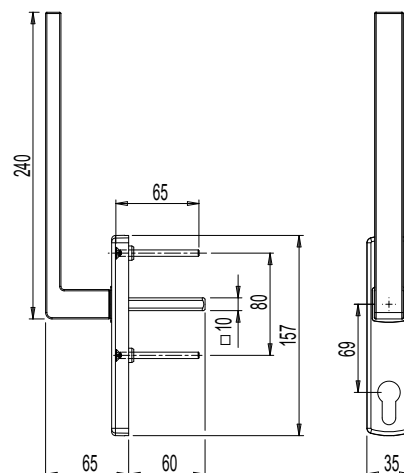
KORA window handle dimensions L240 -I80



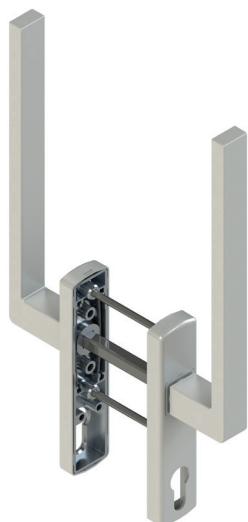
KORA window handle L240 KEY -I80



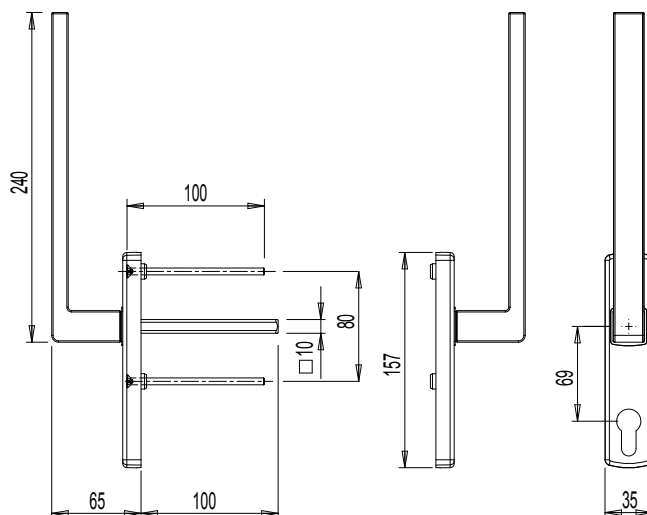
KORA window handle dimensions L240 KEY -I80



KORA window handle L240 CP -I80



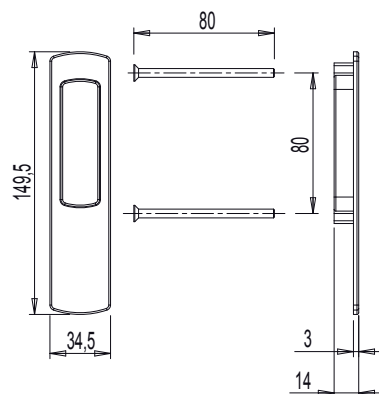
KORA window handle dimensions L240 CP -I80



Recess handle



Recess handle dimensions



Item code	Description	C/C distance (l)	Handle length (L)	Compatible with drive gear	Base Raw	Anodised Elox	Painted	Trend/Gold Brass	Pieces per pack
0246801	KORA WINDOW HANDLE L240-I80 GS3000	80 mm	240 mm	E = 27.5mm/E = 37.5mm	X	X	X	X	1
0246901	KORA WINDOW HANDLE L240 KEY-I80 GS3000	80 mm	240 mm	E = 27.5mm/E = 37.5mm	X	X	X	X	1
0247001	KORA WINDOW HANDLE L240-I80 GS3000 (PAIR)	80 mm	240 mm	E = 27.5mm/E = 37.5mm	X	X	X	X	1
0799501	RECESS HANDLE	80 mm	-	E = 27.5mm/E = 37.5mm	X		X	X	5