



BRIO EVO L HANDLE

Functions

Reversible recessed handle, with the possibility of manual mode operation (for door) or automatic operation (for window), to enable side locking of sliding sashes.

Online data sheet



Technical Features

The Brio Evo L handle allows crossing and overlapping of the two sashes and it is fixed to the profile quickly and precisely by inserting the bottom part of the handle in the slot and then pressing down the top part.

After determining the optimum position of the nib (and therefore locking), it is secured with a grub screw, located under the covering cap.

A distinctive feature of Brio Evo L is the nib carrier depth of 18.8 mm (compared to 12.5 in the standard Brio Evo version) which, in the case of particularly wide sash profiles, makes it possible to reduce the nib anchoring.

The polyamide slider has two green and red surfaces that indicate respectively sash open and sash closed.

The Brio Evo handle is fitted with an antilifting system to ensure that the case-ment can only be opened by moving the small polyamide recess handle on the interior.

The product is preset as standard for automatic operation (for window); for manual operation (for door) the pre-assembled spring on the product must be eliminated.

The screw supplied must be screwed onto the nib carrier if the handle has to perform the burglar-proof function in manual mode operation.

Brio Evo L is available in two different styles: rounded design and square design, with two-teeth fixing spring.

Materials

Body in extruded aluminium

Slider in white die-cast zinc plated Zamak

Polyamide recess handle

Stainless steel grub screw

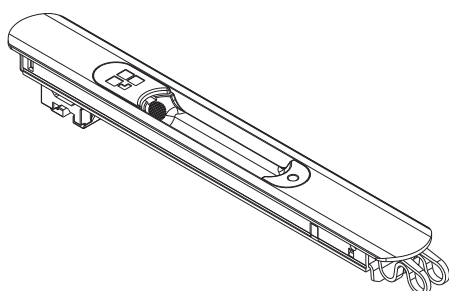
Harmonic steel spring for automatic operation

Bottom fixing spring in C70 Geomet steel

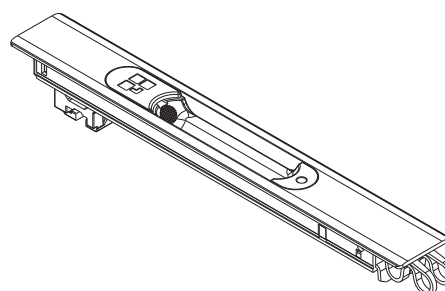
Parts

1 screw for burglar-proof function

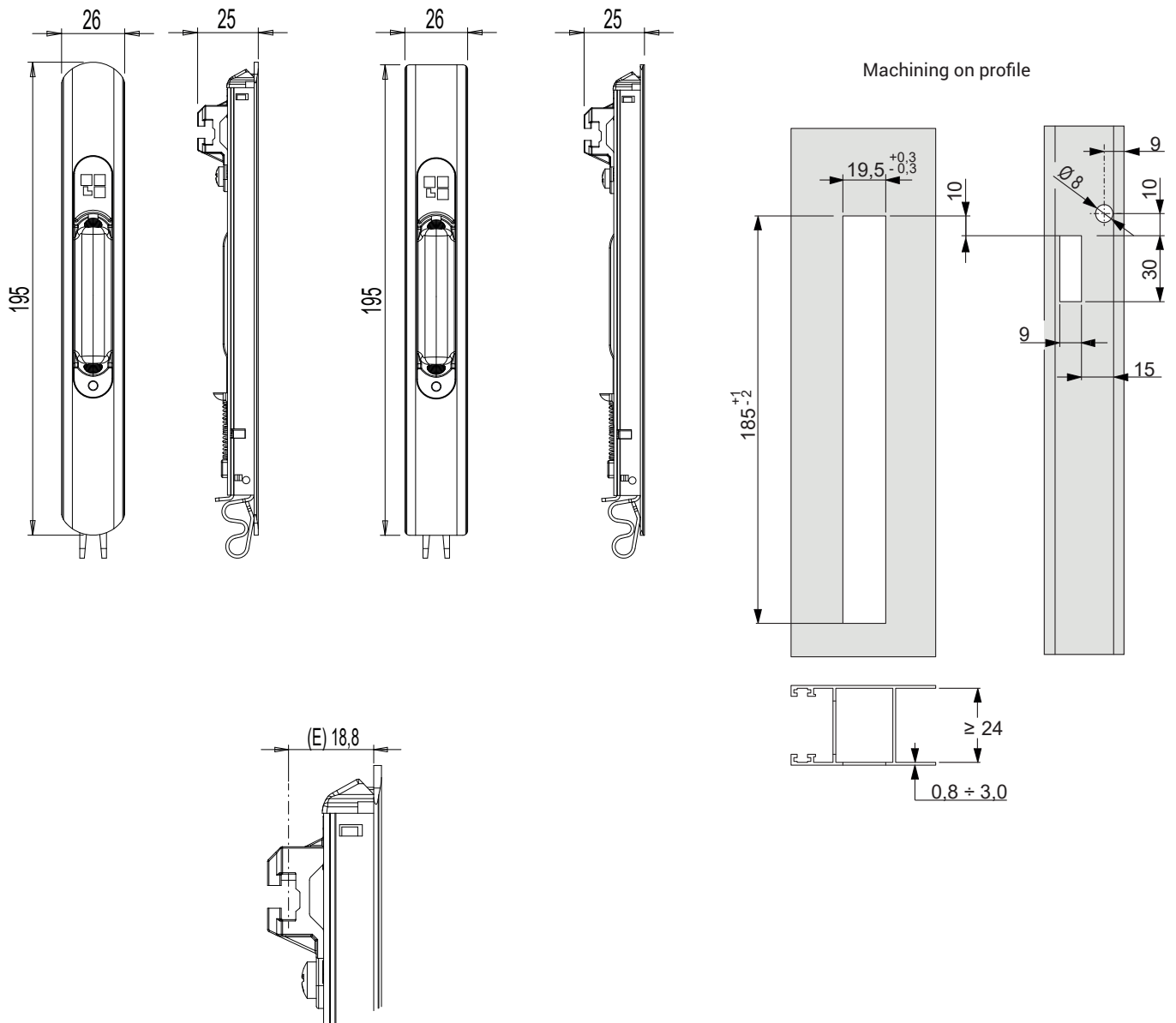
0289401



06008



RECESSED HANDLES



Item code	Description	Design	Backset E [mm]	Fixing spring	Matching handles (Inside)	Matching handles (Outside)	Base Raw	Anodised Elox	Painted	Trend/Gold Brass	Pieces per pack
0289401	BRIO EVO L HANDLE	Rounded	18,8	2 teeth (A)	03043 - 03050 - 03064	02966N	X		X		20
06008	BRIO EVO L HANDLE	Square	18,8	2 teeth (A)	03043 - 03050 - 03064	02966N	X	X	X	X	20