

# HP BOTTOM-HUNG WINDOW

## HP BOTTOM-HUNG WINDOW KIT

### Functions

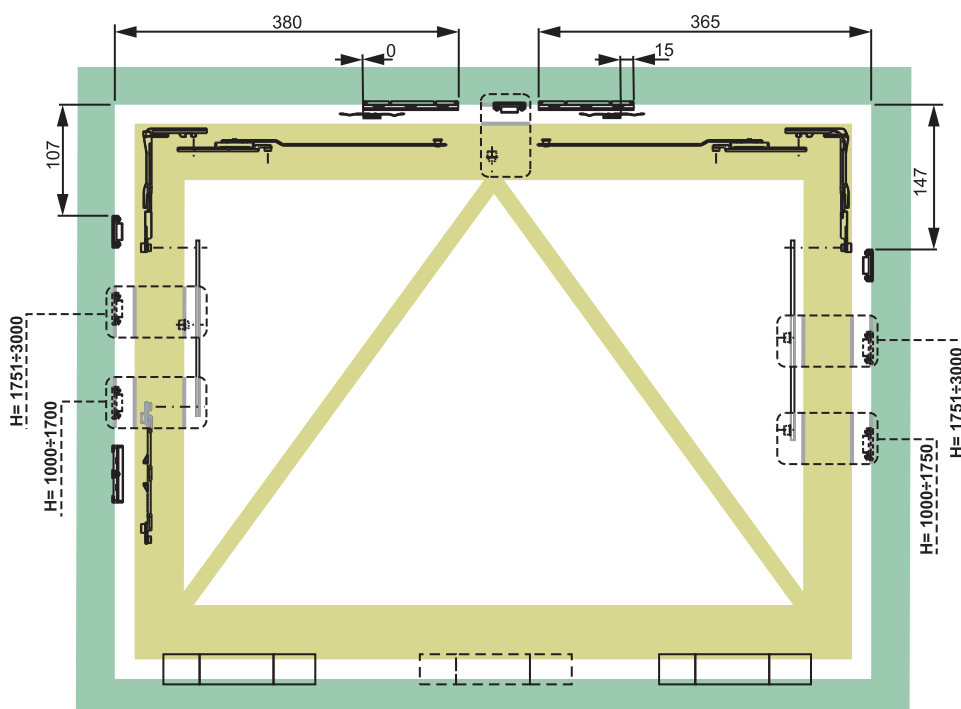
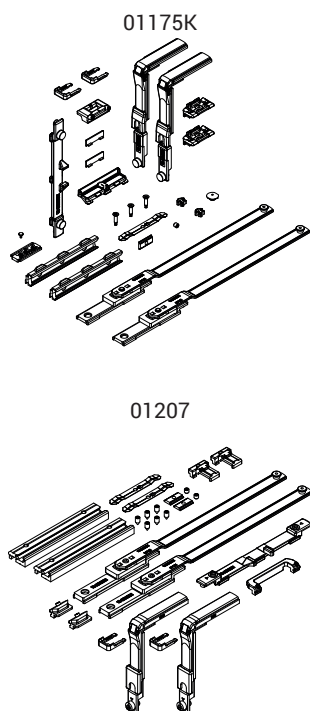
Hardware kit for the construction of bottom-hung windows with capacities up to 250 kg and perimetral closing.

Online data sheet



### Technical Features

The bottom-hung window requires a one-way cremone or a window handle, with or without a key, to which the 90° locking component (art. 02235) must be added.



Item code	Description	PROFILE CROSS - SECTION	Bottom-hung window range [mm]	Base Raw	Anodised Elox	Painted	Trend/Gold Brass	Pieces per pack
01175K	FUTURA HORIZONTAL SECURITY SASH MECHANISM	C001-C002-C003-C004-C005-C006-C012-C011-C012-C013-C014-C015-C016-C017	W 780 ÷ 2500 H 600 ÷ 3000	X				10
01207	FUTURA HORIZONTAL SECURITY SASH MECHANISM	C007	W 780 ÷ 2500 H 600 ÷ 3000	X				10