

INCORRECT MOVEMENT SAFETY DEVICE



Functions

Device that prevents, with the sash open, bringing the hardware into the closed position.

Online data sheet

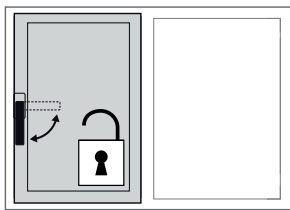
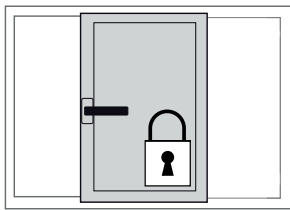


Technical Features

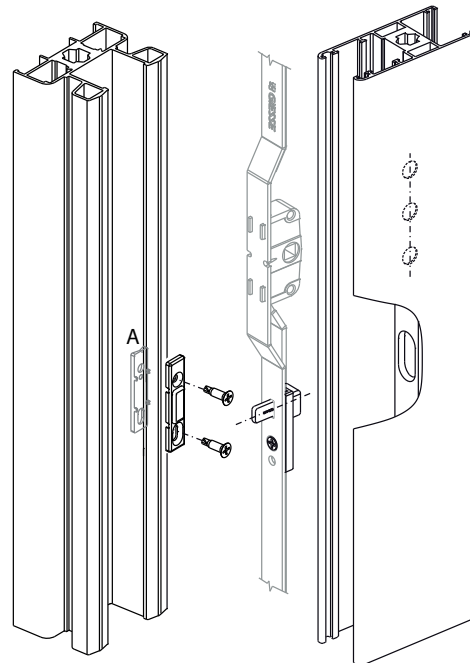
Easily fitted on all Champion Plus Multilocks with 2 or 3 locking points.
Acts as protection for the hardware preventing accidental impact between the nibs and counterplates.
Prevents the user of the window from inadvertently putting the window handle into the closed position when the sash is open.
Only when the sash is closed and then moved next to the frame will the device unlock and allow turning the pull handle and subsequently closing the sash.
It can be used in combination with all Champion Plus rods without micro-ventilation.
Compatible with Champion Plus rods with micro-ventilation only with cremone locked at 90°.

Materials

Incorrect movement safety device body and button made of die-cast zamak
Return spring made of harmonic steel
Stainless steel fixing screw
Frame striker of polyamide



A = contained in the Champion Plus fixing kit



Item code	Description	Can be combined with	Base Raw	Anodised Elox	Painted	Trend/Gold Brass	Pieces per pack
02770	INCORRECT MOVEMENT SAFETY DEVICE	0272101 - 0272201 - 0272301 - 0272501 - 0272601 - 0272701 - 0272801 - 0630901 - 0631001	X				8