

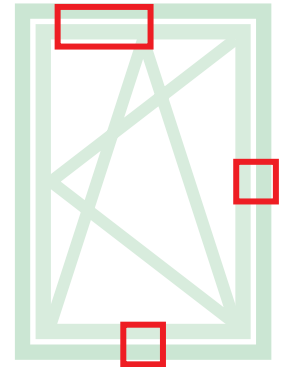
CHIC 3D 130 ERRE ADDITIONAL FASTENING MECHANISMS AND HARDWARE

Functions

The additional fasteners make it possible to add further fastening elements that either increase the dimensions of the casement or that can be used when locking points are needed on the cross beams or hinge-side upright.

Technical Features

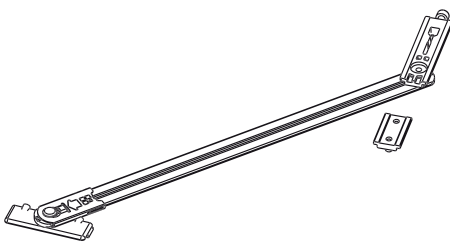
On the basis of the dimensions of the casement, additional fasteners (for H>1200 mm and W>1000 mm) and the additional arm (which is mandatory for W>1000 mm) are to be used in combination with this mechanism.



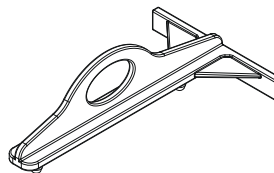
Online data sheet



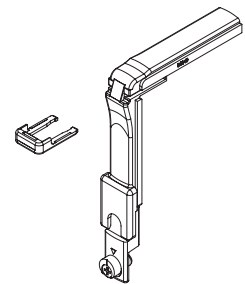
02034K



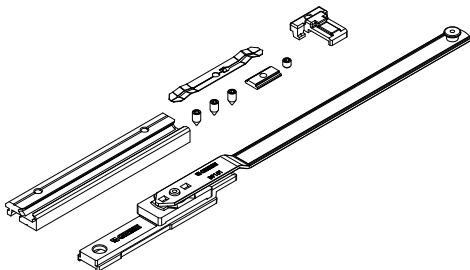
03548



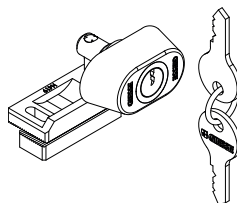
04017K



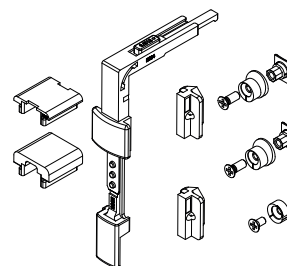
04308K



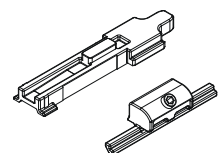
04311



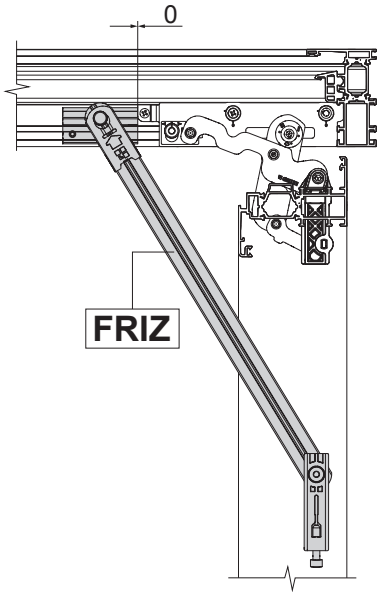
04648K



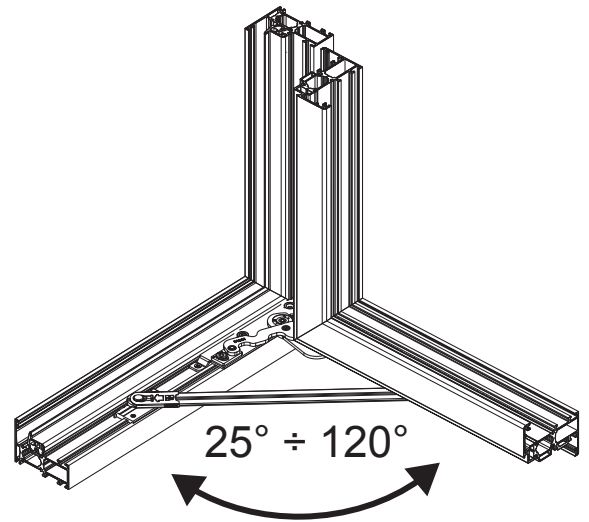
05287



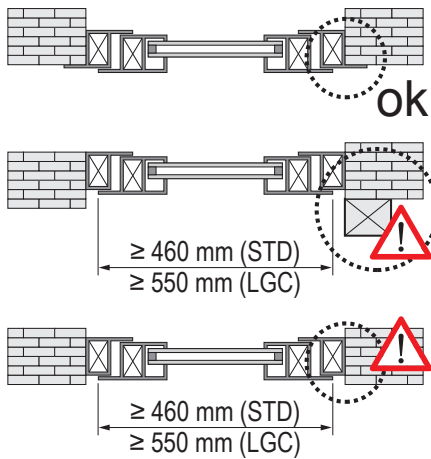
FRIZ arm positioning



Opening angle with FRIZ arm



Mandatory to use the FRIZ arm



Item code	Description	PROFILE CROSS - SECTION	Range (mm)	Base Raw	Anodised Elox	Painted	Trend/ Gold Brass	Pieces per pack
02034K	FRIZ STAY LIMITATION ARM	C007	See picture	X				10
03548	CHIC ERRE - TEMPLATE FOR TILT-AND-TURN	C007	-	X				10
04017K	FUTURA CORNER DRIVE	C007		X				10
04308K	ADDITIONAL ARM FOR T/T	C007	W > 1000	X				5
04311	SASH OPENING BLOCK LOCK	C001-C002-C003-C005-C006-C007-C008-C009-C010-C013-C014-C015-C017	-	X				10
04648K	VERT/HOR.ADD.FAST. GS999	C007	H > 1200 L > 1000	X				10
05287	CHIC ERRE - ARM ADDITIONAL FASTENING MECHANISM	C007	-	X				10