

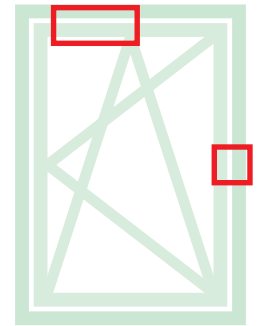
## GS990 ADDITIONAL FASTENING MECHANISMS AND ACCESSORIES

### Functions

Arm that allows the bottom-hung opening in combination with the GS990 tilt-and-turn mechanisms.

### Technical Features

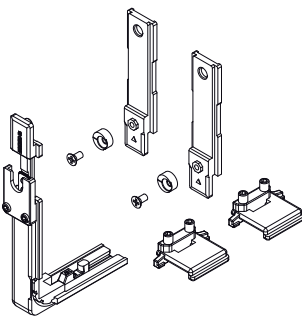
They enable tilt-and-turn opening in conjunction with the mechanisms and are available in two versions depending on the width of the sash.



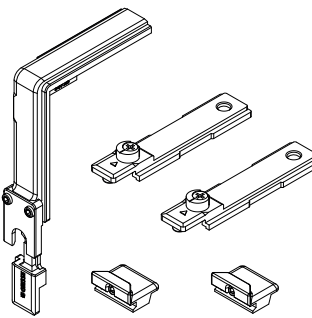
Online data sheet



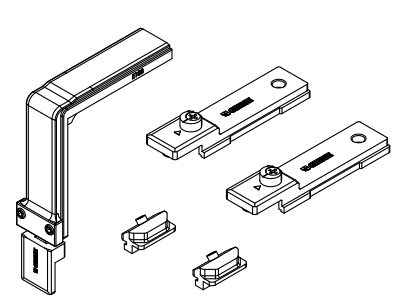
0424001



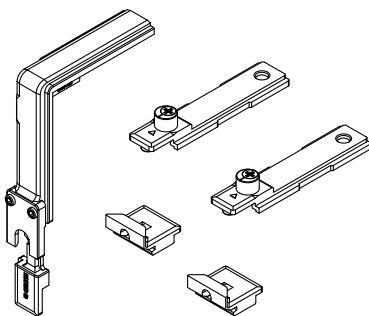
0424101



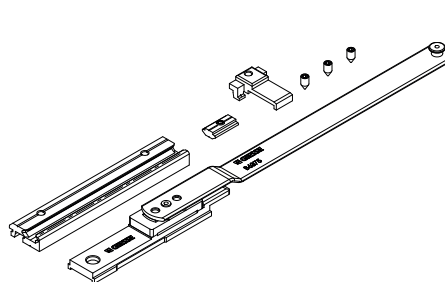
0424601



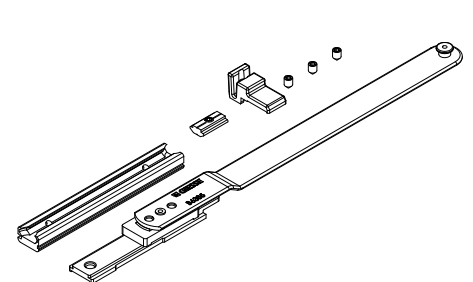
0424701



0460601



0430701



Item code	Description	PROFILE CROSS - SECTION	Range (mm)	Base Raw	Anodised Elox	Painted	Trend/Gold Brass	Pieces per pack
0424001	VERTICAL ADDITIONAL FASTENING MECHANISM GS990	C010	H > 1200	X				10
0424101	VERTICAL ADDITIONAL FASTENING MECHANISM GS990	C011	H > 1200	X				10
0424601	VERTICAL ADDITIONAL FASTENING MECHANISM GS990	C008	H > 1200	X				10
0424701	VERTICAL ADDITIONAL FASTENING MECHANISM GS990	C009	H > 1200	X				10
0430601	ADDITIONAL ARM	C008	W > 1000	X				5