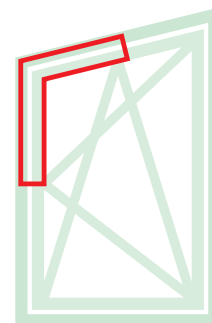


FUTURA 3D A & F ADDITIONAL FASTENING MECHANISMS AND ACCESSORIES

Functions

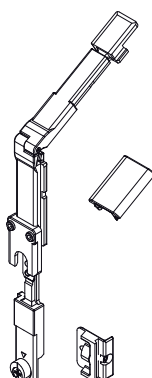
The additional arm is mandatory for L>1000 mm.
 The variable corner drive is fixed without any need for machining the profile, but by means of a polyamide clip and two contrast grub screws. Allows making sloping windows with an angle between the cremone upright and the top cross-beam that goes from 95° to 135°.



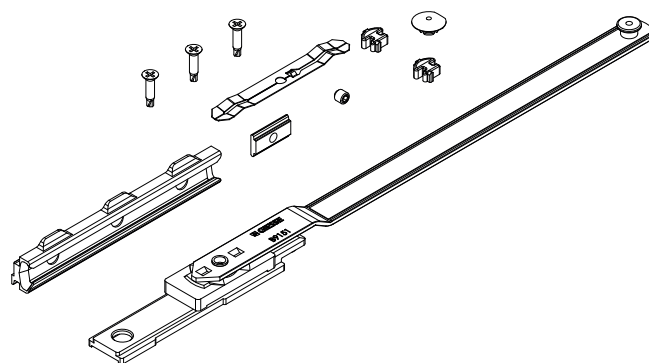
Online data sheet



04023K



04301K



Item code	Description	PROFILE CROSS - SECTION	Range (mm)	Version	Base Raw	Anodised Elox	Painted	Trend/Gold Brass	Pieces per pack
04023K	VARIABLE CORNER DRIVE	C002-C017	-	-	X				10
04301K	T/T FUTURA ADDITIONAL ARM	C001-C002-C003-C005-C006-C011-C013-C014-C015-C016-C017	W > 1000	-	X				5