

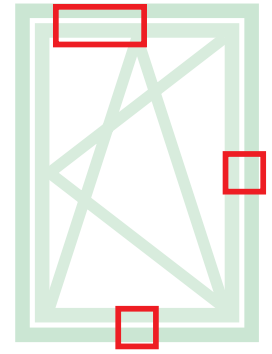
CHIC 3D 150 ADDITIONAL FASTENING MECHANISMS AND ACCESSORIES

Functions

The additional fasteners make it possible to add further fastening elements that either increase the dimensions of the casement or that can be used when locking points are needed on the cross beams or hinge-side upright.

Technical Features

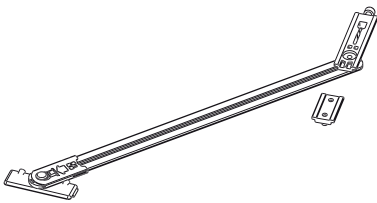
On the basis of the dimensions of the casement, additional fasteners (for $H > 1200$ mm and $W > 1000$ mm) and the additional arm (which is mandatory for $W > 1000$ mm) are to be used in combination with this mechanism.



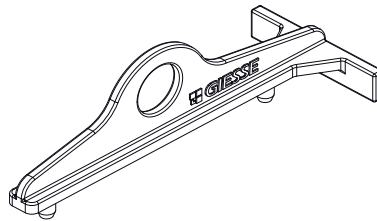
Online data sheet



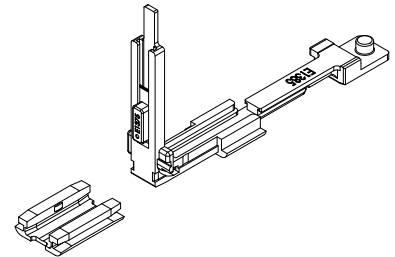
02030K



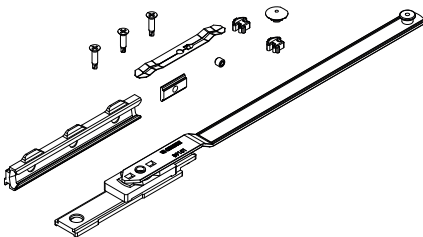
03535



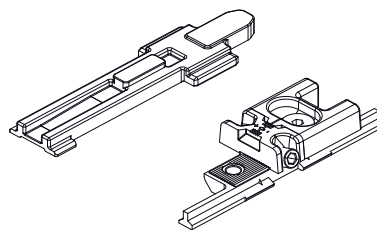
04024K



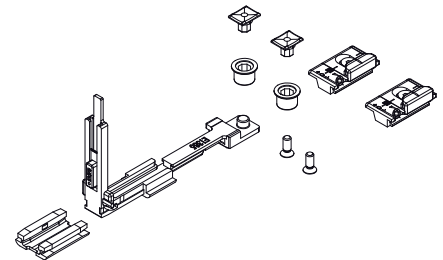
04301K



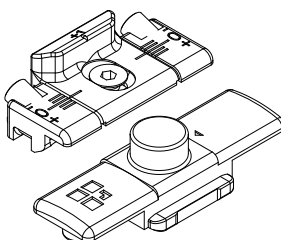
04357



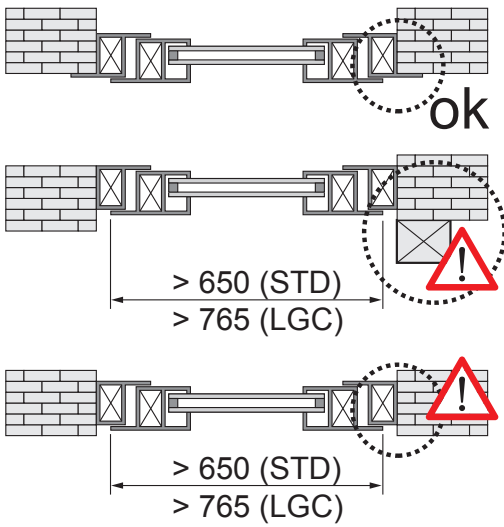
04770K



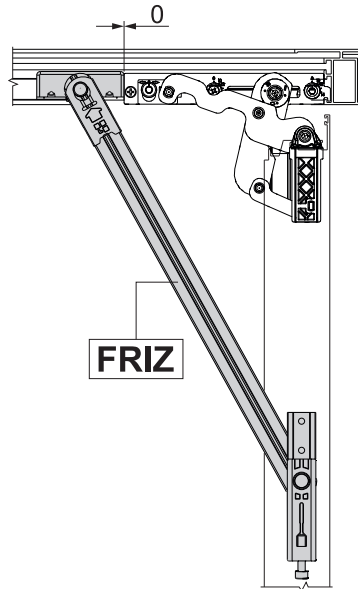
04777K



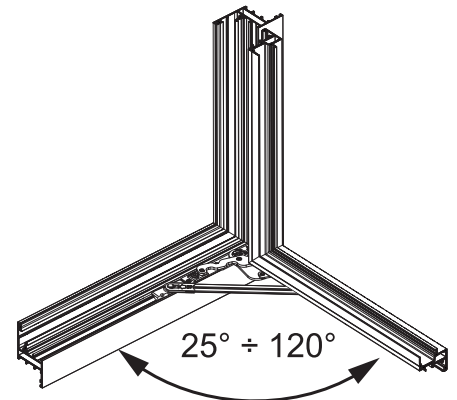
Mandatory to use the FRIZ arm



FRIZ arm positioning



Opening angle with FRIZ arm



Item code	Description	PROFILE CROSS - SECTION	Range (mm)	Version	Base Raw	Anodised Elox	Painted	Trend/Gold Brass	Pieces per pack
02030K	FRIZ STAY LIMITATION ARM	C001-C002-005-C011-C013-C014-C015-C016-C017	See picture	-	X				10
03535	CHIC - TEMPLATE FOR TILT-AND-TURN	C001-C002-C003-C005-C006	-	-	X				10
04024K	CORNER DRIVE FOR FUTURA BURGLAR-PROOF FUNCTION	C001-C002-C003-C013-C014-C015-C016-C017	-	-	X				10
04301K	T/T FUTURA ADDITIONAL ARM	C001-C002-C003-C005-C006-C011-C013-C014-C015-C016-C017	W > 1000	-	X				5
04357	CHIC - ARM ADDITIONAL FASTENING MECHANISM	C001-C002-C003-C005-C006	-	-	X				10
04770K	FUTURA ADDITIONAL FASTENING MECHANISM	C001-C002-C003-C005-C006-C013-C014-C015-C016-C017	H > 1200 L > 1000	-	X				10
04777K	FUTURA ADDITIONAL FASTENING MECHANISM	C001-C002-C003-C005-C006-C011-C013-C014-C015-C016-C017	H > 1200 L > 1000	Logica	X				50