

HINGES FOR BOTTOM-HUNG WINDOWS

Functions

Hinge for bottom-hung windows, fast assembly and secure fixing.
Enables opening a bottom-hung window without any hinges being exposed to view.

Online data sheet



Technical Features

It is fixed with cams and plates and requires no adaptation or modification of seals for assembly.

Enables bottom-hung opening of the sash to an angle of 32°.

Given its application and operation internally of the groove, bottom hung window fixtures can be assembled without any hinges exposed to view.

Materials

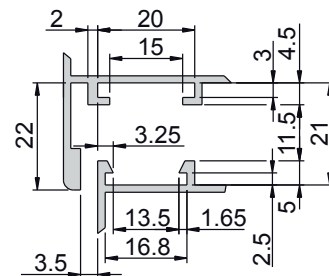
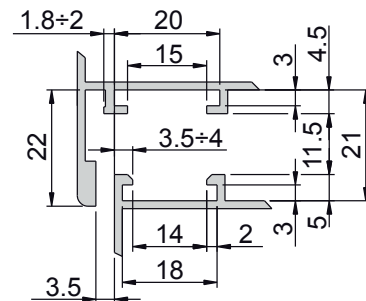
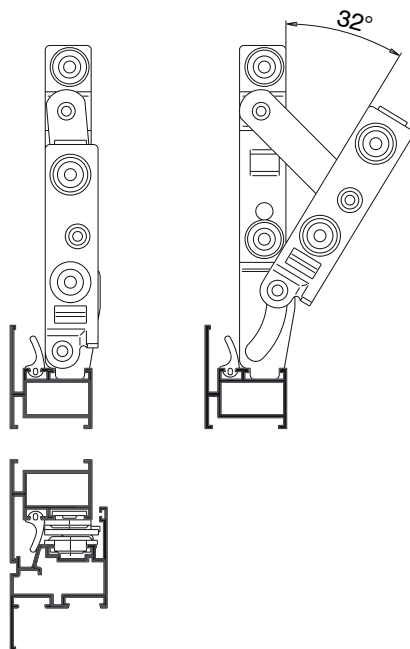
Hinge and plates of zinc-nickel plated steel
Stainless steel plates
Screws and long plates of zinc-nickel plated steel

Parts

8 TSP M5x8 screws
4 threaded cam plates
2 long threaded plates

Capacities

with 2 hinges:
20 kg assuming fixtures of maximum height 700 mm
Minimum height 170 mm



Item code	Description	Note	PROFILE CROSS - SECTION	Base Raw	Anodised Elox	Painted	Trend/Gold Brass	Pieces per pack
0205101	HINGES FOR BOTTOM-HUNG WINDOWS	pair	C001	X				10