

FUTURA 3D R HINGES

Functions

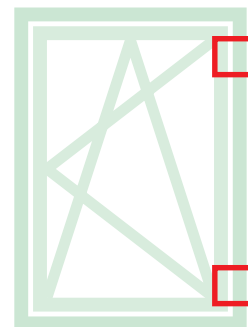
Hinge set (upper and lower), completely pre-assembled and ready to be installed on the profile.

Materials

Body of hinges in extruded aluminium and brass.

Supports in zamak with GS Silver Plus finish (up to 500 hr corrosion resistance).

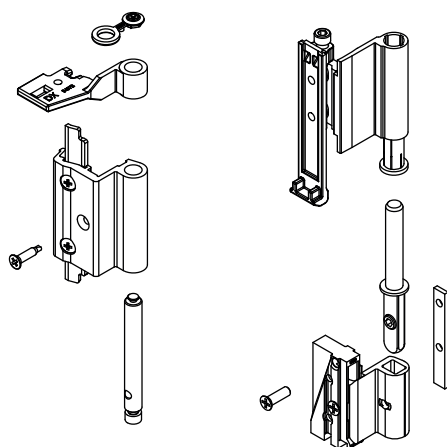
Pins, screws and grub screws in stainless steel.



Online data sheet



04721



Item code	Description	PROFILE CROSS - SECTION	Base Raw	Anodised Elox	Painted	Trend/Gold Brass	Pieces per pack
04721	HINGE T/T FUTURA 3D R	C007	X		X	X	10