

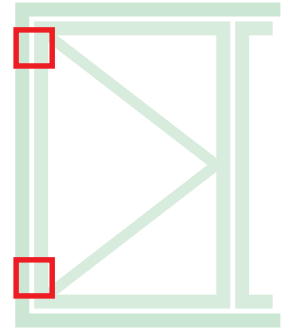
## CLASSIC 80 SECONDARY SASH

### Functions

Adapter for CLASSIC 3D 80 tilt-and-turn secondary sash hinges.  
The adapter lets you turn the set of tilt-and-turn hinges into hinges for a secondary sash, keeping the same design, adjustments, dimensions and capacities achievable with a main sash.

### Materials

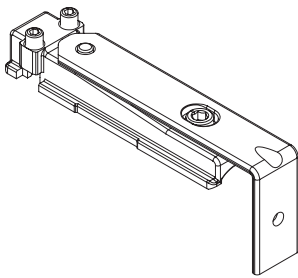
Grub screws and false arm rod made of steel  
Support in zamak



Online data sheet



04727



04739

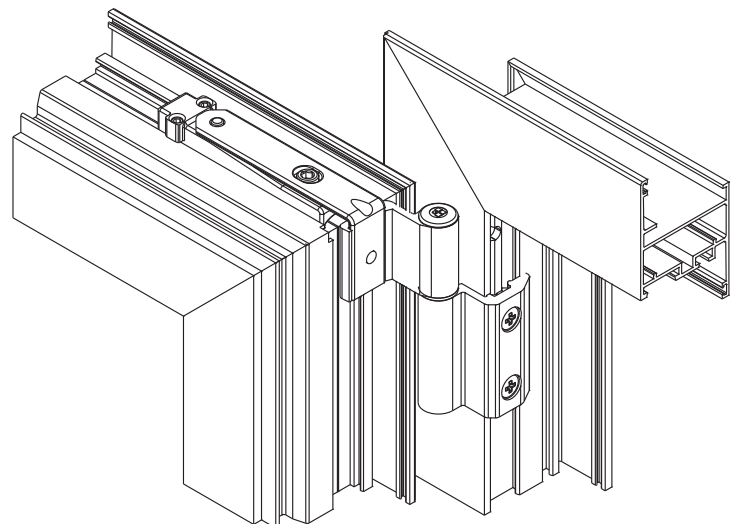
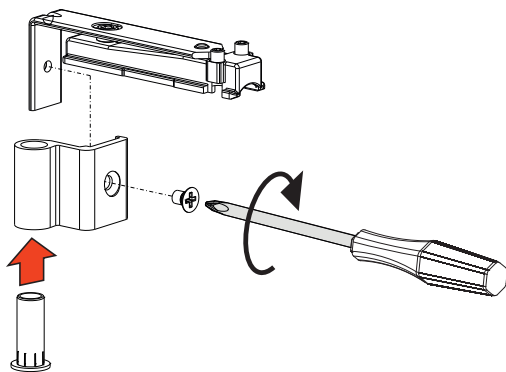
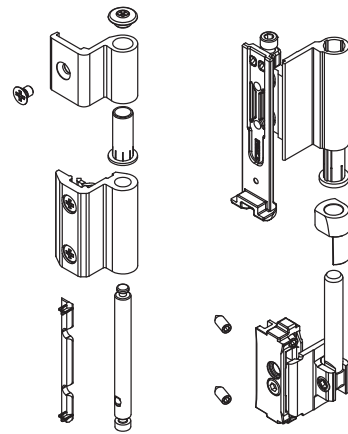


Table of maximum load capacity [kg]

2500	80	80	80	80	80	80	80	80	80	
2400	80	80	80	80	80	80	80	80	80	
2300	80	80	80	80	80	80	80	80	80	
2200	80	80	80	80	80	80	80	80	80	
2100	80	80	80	80	80	80	80	80	80	
2000	80	80	80	80	80	80	80	80	80	
1900	80	80	80	80	80	80	80	80	80	
1800	80	80	80	80	80	80	80	80	80	
1700	80	80	80	80	80	80	80	80	80	
1600	80	80	80	80	80	80	80	80	80	
1500	80	80	80	80	80	80	80	80	80	
1400	80	80	80	80	80	80	80	80	80	
1300	80	80	80	80	80	80	80	80	78	
1200	80	80	80	80	80	80	80	79	73	
1100	80	80	80	80	80	80	79	73	67	
1000	80	80	80	80	80	80	73	67		
900	80	80	80	80	80	73	66			
800	80	80	80	80	73	66				
700	80	80	80	73	65					
600	80	80	73	64						
	350	500	600	700	800	900	1000	1100	1200	1300

Table of maximum glass thickness [mm]

2500	25	21	18	16	14	13	11	10	10	
2400	26	22	19	16	15	13	12	11	10	
2300	27	23	19	17	15	14	12	11	10	
2200	29	24	20	18	16	14	13	12	11	
2100	30	25	21	19	17	15	14	12	11	
2000	31	26	22	20	17	16	14	13	12	
1900	33	28	24	21	18	17	15	14	13	
1800	35	29	25	22	19	17	16	15	13	
1700	37	31	26	23	21	18	17	15	14	
1600	39	33	28	25	22	20	18	16	15	
1500	42	35	30	26	23	21	19	17	16	
1400	45	37	32	28	25	22	20	19	17	
1300	48	40	34	30	27	24	22	20	17	
1200	50	44	37	33	29	26	24	20	17	
1100	50	48	41	36	32	29	24	20		
1000	50	50	45	39	35	29	24			
900	50	50	50	44	35	29				
800	50	50	50	45	35					
700	50	50	50	45						
600	50	50	50	45						
	350	500	600	700	800	900	1000	1100	1200	1300

Item code	Description	PROFILE CROSS - SECTION	Base Raw	Anodised Elox	Painted	Trend/Gold Brass	Pieces per pack
04727	CLASSIC 3D 80 SECONDARY SASH ADAPTER	C001	X				10
04739	HINGE T/T CLASSIC 80	C001-C002-C003-C005-C006	X	X	X		10